

PRODUCT TECHNICAL SHEET

Collection :	SULLY	Ref. :	4032.--.74
--------------	--------------	--------	-------------------

Thermostatique à encastrer
Inbouw thermostaat
Concealed thermostatic

Picture

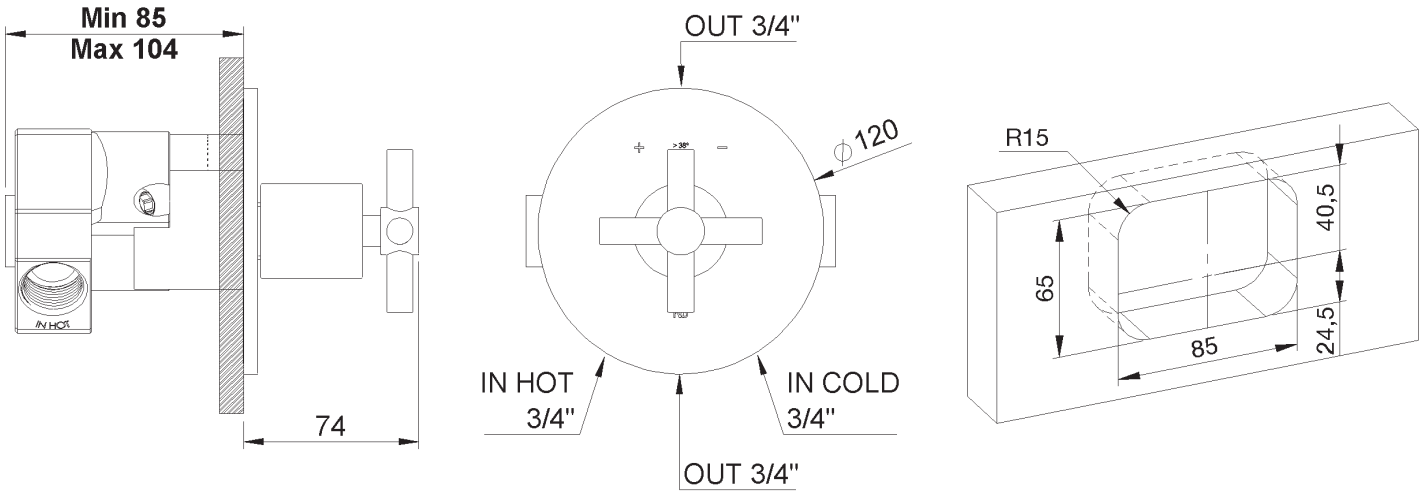
Product details



Flow at 3 bar : 32 l/min

T° mechanism : Thermostatic wax cartridge

Technical drawing



RA1.V01